

ATC Distributors, LLC
 5110 Atlantic Avenue,
 Raleigh, NC 27616
 (800) 504-9856



ATC Manufacturing
 13534 W. Lafayette Center
 Roanoke IN 46783

Power Chair Quantifier Sheet

Date: _____

Customer Name: _____ Dealer Name: _____

Address: _____ State: _____ Zip Code: _____

Phone: _____ Email: _____

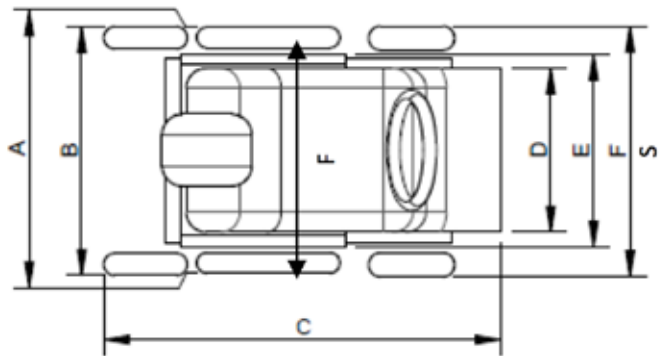
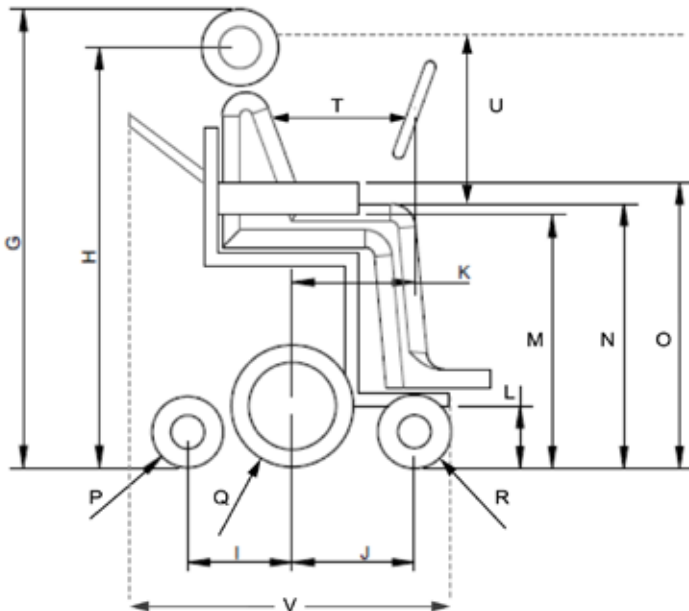
Chair Brand: _____ Chair Model: _____

Chair Weight: _____ User Weight: _____

| | |
|---|--|
| Vehicle Make: _____ | Model: _____ |
| Vehicle Drive Train: 2WD _____ 4WD _____ | Vehicle Age: New _____ Used (year) _____ |
| Type of Conversion Desired: Driver-Side _____ Passenger-Side _____ | |
| Cab Style: Extended _____ Double _____ Crew _____ Sunroof? Yes _____ No _____ | |

| | Description | Customer Value |
|---|-----------------------------|----------------|
| A | Mid Tire Width | |
| B | Rear Tire Width | |
| C | Overall Length/Tip of Toes | |
| D | Footrest Width | |
| E | Armrest Width | |
| F | Overall Width | |
| G | Overall User Height | |
| H | Sightline to Floor | |
| I | Center Wheel to Back Wheel | |
| J | Center Wheel to Front Wheel | |
| K | Wheel to Steering Wheel | |

| | Description | Customer Value |
|---|------------------------------------|----------------|
| L | Floor to Footrest | |
| M | Floor to Bottom of Armrest | |
| N | Floor to Top of Legs | |
| O | Floor to Top of Armrest | |
| P | Diameter Rear Wheels | |
| Q | Diameter Mid Wheels | |
| R | Diameter Front Wheels | |
| S | Width of Front Tires | |
| T | Chest to Steering Wheel | |
| U | Top of Legs to Sightline | |
| V | Furthermost Back to Front of Chair | |



This form is to be completed by the authorized dealer or the authorized dealers sales consultant to ensure a proper customer conversion fitting/build. ATC can not be held liable for any improper fitting/build if not completed by the ~~note~~ **Note**. Please submit photos of customer in the power chair that will be used with conversion.

 Authorize Dealer/Sales Consultant Date

 Customer Sign-Off Date