

ATC Distributors, LLC
 5110 Atlantic Avenue,
 Raleigh, NC 27616
 (800) 504-9856



ATC Manufacturing
 13534 W. Lafayette Center
 Roanoke IN 46783

Manual Chair Quantifier Sheet

Date: _____

Customer Name: _____

Dealer Name: _____

Address: _____

State: _____ Zip Code: _____

Phone: _____

Email: _____

Chair Brand: _____

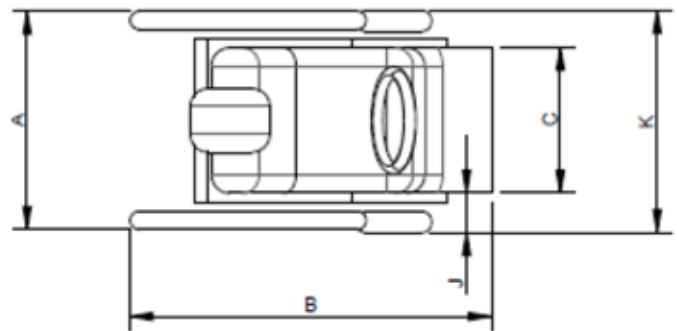
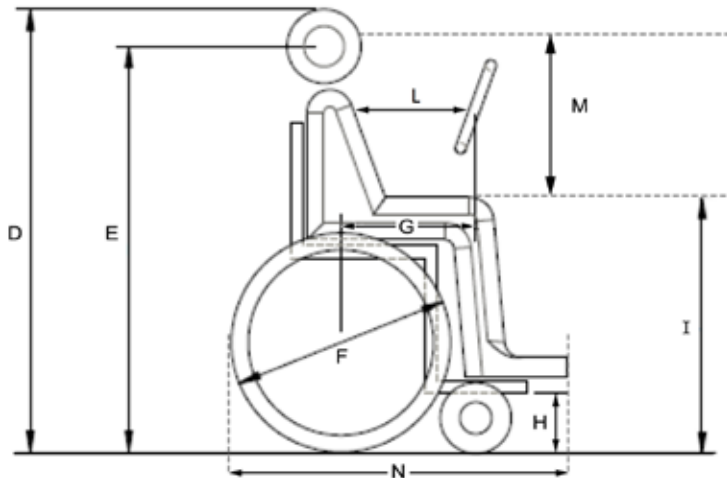
Chair Model: _____

Chair Weight: _____

User Weight: _____ User Height: _____

Vehicle Make: _____	Model: _____
Vehicle Drive Train: 2WD _____ 4WD _____	Vehicle Age: New _____ Used (year) _____
Type of Conversion Desired: Driver-Side _____ Passenger-Side _____	
Cab Style: Extended _____ Double _____ Crew _____ Sunroof? Yes _____ No _____	

	Description	Customer Value		Description	Customer Value
A	Overall Width (outside to outside)		H	Foot Rest Height	
B	Overall Length		I	Knee Height	
C	Foot Rest Width (outside to outside)		J	Foot Rest Offset	
D	Overall Height		K	Front Wheel Width (outside to outside)	
E	Sightline to Floor		L	Chest to Steering Wheel	
F	Largest Wheel Diameter		M	Top of Legs to Sightline	
G	Wheel Axle to Center Steering Wheel		N	Back to Front of Toes	



Note: Please submit photos of customer in the manual chair that will be used with conversion.

This form is to be completed by the authorized dealer or the authorized dealers sales consultant to ensure a proper customer conversion fitting/build. ATC can not be held liable for any improper fitting/build if not completed by the above.

 Authorize Dealer/Sales Consultant

 Date

 Customer Sign-Off

 Date