



PRODUCT KNOWLEDGE HANDBOOK



Administrative Office
3901 Commerce Park Drive
Raleigh, NC 27601

Sales: (855) 324-3085
Dealer: (855) 879-8093
Tech Services: (877) 291-6309

Shipping/Mfg. Location
4654 East Markle Road
Markle, IN 46770

service@atconversions.com

Vehicle Pickup & Drop Off Times
6:30 AM - 2:30 PM : Monday-Friday

ATC provides a life-changing experience through mobility with style!

TABLE OF CONTENTS

ATC BENEFITS.....	3
ATC FEATURES & SPECS.....	4
VEHICLES WE CONVERT.....	5
VEHICLES WE CONVERT - AT A GLANCE.....	6
KEY FOB.....	7
MANUAL HYDRAULIC PUMP OPERATION.....	8
MOBILITY REIMBURSEMENT.....	9
MID-SIZE SUV TRAY DIMENSIONS.....	12
1500 2WD DRIVER'S SIDE PAN DIMENSIONS.....	12
1500 2WD PASSENGER'S SIDE PAN DIMENSIONS.....	14
1500 4WD DRIVER'S SIDE PAN DIMENSIONS.....	15
1500 4WD PASSENGER'S SIDE PAN DIMENSIONS.....	16
2500 2WD DRIVER'S SIDE PAN DIMENSIONS.....	17
2500 2WD PASSENGER'S SIDE PAN DIMENSIONS.....	18
2500 4WD DRIVER'S SIDE PAN DIMENSIONS.....	19
2500 4WD - ALLISON TRANSMISSION DRIVER'S SIDE PAN DIMENSIONS.....	20
2500 4WD PASSENGER'S SIDE PAN DIMENSIONS.....	21

ATC BENEFITS

- **Less expensive conversion:** ATC conversion baseline cost is much lower than other market choices.
- **More Durable:** The quality and product design of the hydraulic lift is made to last even past the lifetime of a more durable truck.
- **Speed:** The single motor hydraulic lift is quiet and quick – lifting or closing in less than 25 seconds.
- **Protection:** As the door rises it provides protection from the outside weather until you are out of the vehicle.
- **Lighter:** The ATC lift design features a single motor and compact lift system, making it lighter and causing less stress on vehicle brakes and suspension.
- **Accessible:** The ATC conversion opens the converted vehicle door up and over making the interior of the vehicle easily accessible.
- **Reliability:** Even with the reliability of roller bearings and the hydraulic system, you have the peace of mind that a manual back up system is available if a power disconnect occurs.

NO BOUNDARIES

Customize your All-Terrain vehicle with a wheelchair lift from ATConversions and open up unlimited possibilities!

ATC FEATURES & SPECS

- Driver or Passenger 2WD and 4WD vehicles can be converted. See diagrams for specifications on pan dimensions.
- GM Trucks 1500- 2500- 3500- 2WD and 4WD have the most ground clearance on the market for a wheelchair accessible vehicle.
- GM Suburban's, Yukon XL, and Cadillac provide a variety of vehicles to keep the whole family together.
- The Chevrolet Traverse, Buick Enclave and GMC Acadia crossover utility vehicles (CUVs) offer a mixture of functionality and sportiness.
- Durability, frame construction built to work, built to last. This is one tough conversion.
- The quietest conversion on the market today. Hear the difference in conversations with your family and friends, compared to other conversions on the market.
- Compared to the Minivan Conversions on the market, the ATC conversion has greater ground clearance. No more replacing ground effects, no scraping every speed bump or curb on sharp turns. In a truck or CUV the road is yours to take back. There's no limit to your abilities.
- Conversions can be on vehicles from 2008 to present.

VEHICLES WE CONVERT

All products listed may not accommodate all wheelchairs or end users. It is imperative that each end user is fitted in vehicle. Every option may offer different dimensions.

2008-CURRENT CHEVROLET SILVERADO OR GMC SIERRA, 1500

- 2 Wheel or 4 Wheel drive
- Extended, Double or Crew Cab
- All Trim Packages
- Driver or Passenger side
- Gasoline Engines
- Trailing package and load rated tires required

2008-CURRENT CHEVROLET SILVERADO OR GMC SIERRA, 2500

- 2 Wheel or 4 Wheel drive
- Extended, Double or Crew Cab
- All Trim Packages
- Driver or Passenger side
- Gasoline engines
- Diesel available on:
 - Driver side- 2012-Current models only
 - Passenger side 2008-2011 models only.
- Trailing package and load rated tires required

2008-CURRENT CHEVROLET SUBURBAN, GMC YUKON XL OR CADILLAC ESV

- 2 Wheel or 4 Wheel drive
- Driver or Passenger side
- All Trim Packages
- Gasoline engines only
- Trailing package and load rated tires required

2008-CURRENT CHEVROLET TAHOE, GMC YUKON OR CADILLAC ESCALADE

- 2 Wheel or 4 Wheel drive
- Driver or Passenger side
- All Trim Packages
- Gasoline engines only
- Trailing package and load rated tires required

2008-CURRENT CUVS

FWD Models / All Trim Packages

- Chevy Traverse
- Buick Enclave
- GMC Acadia
 - 2017 Acadia: Limited Edition Only

These are the standard build vehicles currently available and are subject to change without notice.

VEHICLES WE CONVERT - AT A GLANCE

TRUCKS



We convert:

- Chevy Silverado 1500, 2500 & 3500
- GMC Sierra 1500, 2500 & 3500

Key features:

- Strong, durable vehicle
- Off-road capabilities
- Great undercarriage clearance

LARGE SUVs



We convert:

- Chevy Suburban
- GMC Yukon XL
- Cadillac Escalade ESV

Key features:

- 7 passenger conversion
- 2WD and 4WD available

CUVs



We convert:

- Chevy Traverse
- GMC Acadia
- Buick Enclave

Key features:

- Passenger side accessible
- The most economical conversion at \$22,999 MSRP (Traverse & Acadia)
- Innovative internal ramp system

SUVs



We convert:

- Chevy Tahoe
- GMC Yukon
- Cadillac Escalade

Key features:

- Smaller alternative to the large SUVs
- Conversion aesthetically matches with luxury vehicles

Please refer to "Vehicles We Convert" (pg. 5) for more specific details and exceptions.

KEY FOB

ATC Truck Operation

- 1. Opens the Gullwing Door
- 2. Closes the Gullwing Door
- 3. Brings the lift up and in.
- 4. Brings the lift out and down.



SAFETY: Lift tray must not be deployed until door is fully opened. Damage may result if the lift tray makes contact with the door.



SAFETY: Door will not function with the converted side's seat belt latched.



SAFETY: Door will not function with the truck running and foot on brake.



ATC Mid-Size SUV Operation

- 1. Press and hold the top button for the DOOR to OPEN and the RAMP to LOWER.
- 2. Press and hold bottom button for the RAMP to RAISE and the DOOR to CLOSE.



MANUAL HYDRAULIC PUMP OPERATION (GULL WING VEHICLES)

Hydraulic hand pump can be used to operate any of the hydraulic circuits in case of emergency or loss of Battery power. Manual operation should not be used for daily operation of the hydraulic system.

In a situation where manual operation of the hydraulic system is necessary, first ensure electrical power to the system has been shut off, and all electrical controls are off.

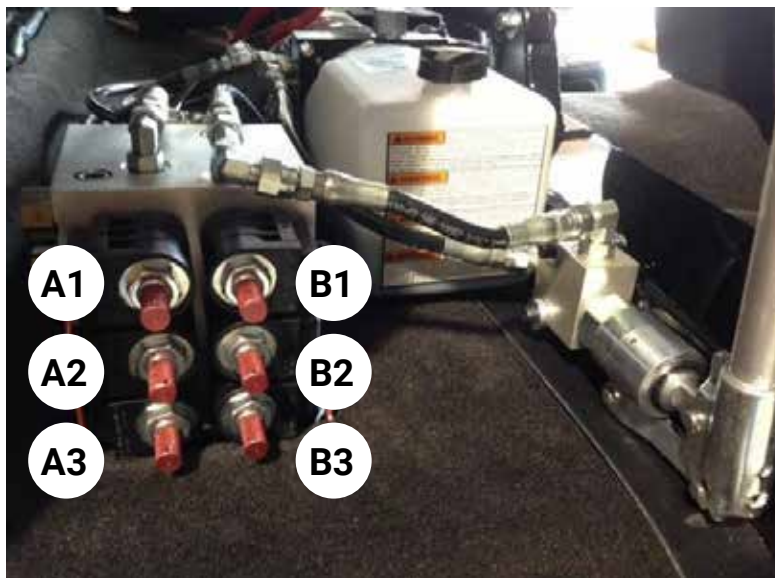
To operate pump:

1. Ensure there is adequate hydraulic oil in the reservoir tank.
2. Ensure there are no objects or persons in the way of operating the door and tray.
3. Insert handle for hand pump into pump handle receptacle. Location "P" on picture below.
4. Operate pump and ensure the pump is building pressure (resistance to pumping) before operating any of the manual valves. It may take additional strokes of the hand pump to fully prime the system if it has not been used recently.
5. Select which hydraulic cylinder or operation you wish to move and select appropriate valve to operate (A, B, or C). Do not operate more than one valve at a time.

Pin	Pull Red Pin to Actuate	Pin	Pull Red Pin to Actuate
A1	Door Open	B1	Door Close
A2	Tray / Chair Up	B2	Tray / Chair Down
A3	Horizontal Tray Out	B3	Horizontal Tray In

6. Pull the appropriate red Pin while simultaneously operating the hand pump to move the desired Cylinder while verifying safe motion of the door and tray. The red Pin may be pulled out and turned Clockwise to lock position so it does not have to be held while pumping.

*Make sure to move Pin counterclockwise back to the original position before operation.



MOBILITY REIMBURSEMENT

GM MOBILITY PROGRAM

Get Reimbursed

Through the GM Mobility Reimbursement Program, new vehicle purchasers/lessees who install eligible adaptive mobility equipment on their new Chevrolet, Buick or GMC vehicles can receive up to a \$1,000 reimbursement for the cost of the equipment.



PLUS

Two extra years of standard OnStar®2service, at no additional cost on all 2015–2016 Chevrolet, Buick and GMC vehicles equipped with OnStar. The Directions & Connections® Plan is standard for six months on most 2015-2016 GM vehicles.

Taking advantage of both offers is as easy as 1, 2, and 3.

1. Buy or lease an eligible, new 2016-current Chevrolet, Buick, GMC vehicle equipped with OnStar. Vehicles that are not eligible: All Cadillacs.
2. Purchase and install (or reinstall) your eligible adaptive mobility equipment.
3. Apply for GM Mobility Reimbursement:
 - a. Either Download an Application Form or
 - b. Request an Application by Mail

The purchaser and a GM dealer representative will need to complete and sign the reimbursement application. Submit the application with a paid receipt for the mobility equipment and installation.

If you're uncertain of the eligibility of the adaptive equipment or vehicle you're considering purchasing or leasing, call the GM Mobility Assistance Center at 1-800-323-9935. See an example of a completed GM Mobility Reimbursement application form.

The GM Mobility Reimbursement Program3 offer with OnStar is valid through 2017. To qualify for the reimbursement offer, vehicles must be adapted and a claim must be submitted within 6 months from the date of purchase/lease. To take advantage of the OnStar® offer, vehicle must be equipped with OnStar. The OnStar offer has no redeemable cash value and is nontransferable. Other program rules apply. For offer details, visit your local dealer/retailer or call the GM Mobility Assistance Center at 1-800-323-9935.

Sales/Admin Office
 3901 Commerce Park Dr
 Raleigh, NC 27610
 (855) 324-3085



Shipping/Mfg Location
 4654 East Markle Road
 Markle, IN 46770

Date: _____

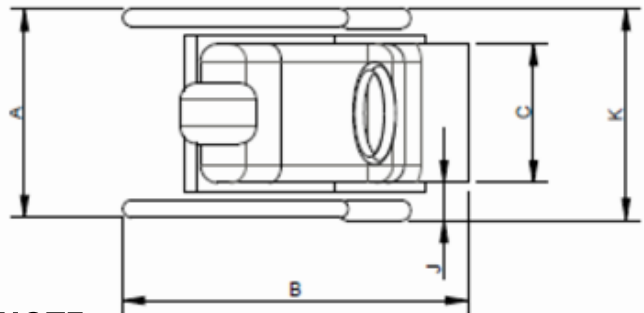
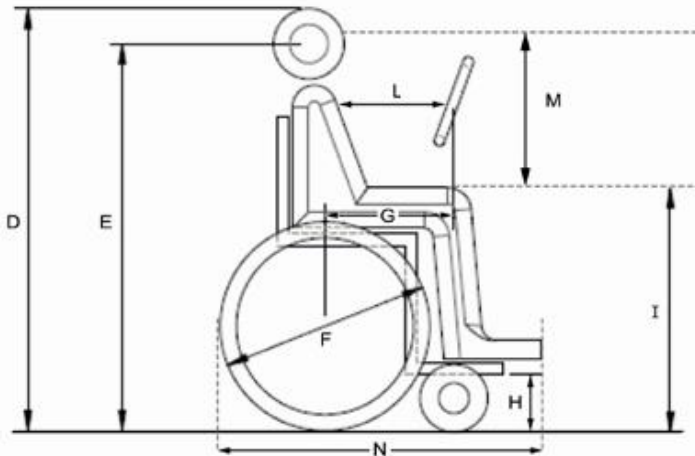
Manual Chair Measuring Guide

Customer Name: _____
 Customer Phone: _____
 Chair Brand: _____
 Chair Weight: _____

Dealer Name: _____
 Dealer Phone: _____
 Chair Model: _____
 User Weight: _____ User Height: _____

Vehicle Make: _____	Model: _____ Gas ___ Diesel ___
Vehicle Drive Train: 2WD ___ 4WD ___	Vehicle Age: New ___ Used (year) ___
Type of Conversion Desired: Driver-Side ___ Passenger-Side ___	
Cab Style: Extended ___ Double ___ Crew ___ Sunroof? Yes ___ No ___ (2" less headroom)	
Center console: 40-20-40 ___ Full console ___ ***SUVs can't retain converted side running board***	

	Description	Customer Value		Description	Customer Value
A	Overall Width (outside to outside)		H	Foot Rest Height	
B	Overall Length		I	Knee Height	
C	Foot Rest Width (outside to outside)		J	Foot Rest Offset	
D	Overall Height		K	Front Tire Width (outside to outside)	
E	Sightline to Floor		L	Chest to Steering Wheel	
F	Largest Wheel Diameter		M	Top of Legs to Sightline	
G	Wheel Axle to Center Steering Wheel		N	Back to Front of Toes	



NOTE:
 Please submit photos of customer in the manual wheelchair to be used.

 Authorize Dealer/Sales Consultant Date

 Customer Sign-Off

 Date

This guide is to be used to determine if the client fits in the vehicle with the chair submitted. It is not to be used to determine if the driving position will be satisfactory to the client. ATC shall not be held liable for driving position issues.

VER10.25.16

Sales/Admin Office
 3901 Commerce Park Dr
 Raleigh, NC 27610
 (855) 324-3085



Shipping/Mfg Location
 4654 East Markle Road
 Markle, IN 46770

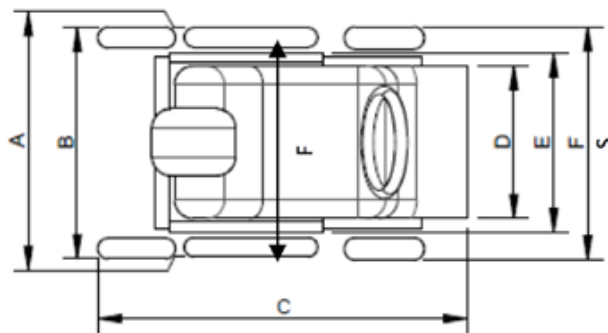
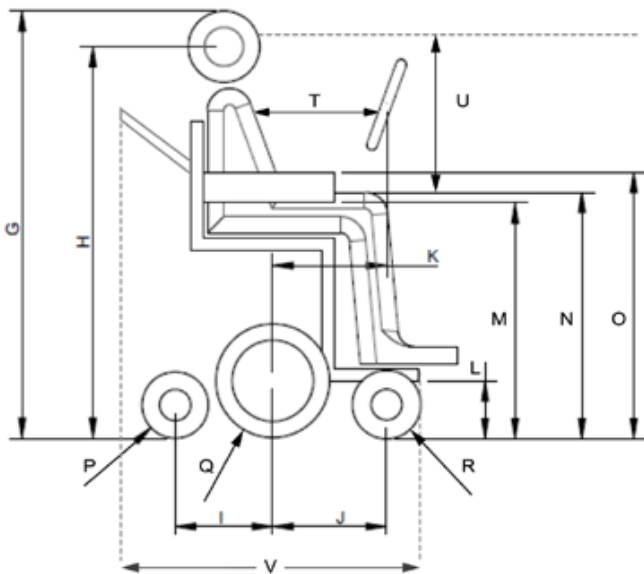
Date: _____

Power Chair Quantifier Sheet

Customer Name: _____ Dealer Name: _____
 Chair Brand: _____ Chair Model: _____
 Chair Weight: _____ User Weight: _____

Vehicle Make: _____	Model: _____
Vehicle Drive Train: 2WD _____ 4WD _____	Vehicle Age: New _____ Used (year) _____
Type of Conversion Desired: Driver-Side _____ Passenger-Side _____	
Cab Style: Extended _____ Double _____ Crew _____ Sunroof? Yes _____ No _____	

	Description	Customer Value		Description	Customer Value
A	Mid Tire Width (outside to outside)		L	Floor to Footrest	
B	Rear Tire Width (outside to outside)		M	Floor to Bottom of Armrest	
C	Overall Length/Tip of Toes		N	Floor to Top of Legs	
D	Footrest Width		O	Floor to Top of Armrest	
E	Armrest Width		P	Diameter Rear Wheels	
F	Overall Width (outside to outside)		Q	Diameter Mid Wheels	
G	Overall User Height		R	Diameter Front Wheels	
H	Sightline to Floor		S	Width of Front Tires (outside to outside)	
I	Center Wheel to Back Wheel		T	Chest to Steering Wheel	
J	Center Wheel to Front Wheel		U	Top of Legs to Sightline	
K	Wheel to Steering Wheel		V	Furthermost Back to Front of Chair	



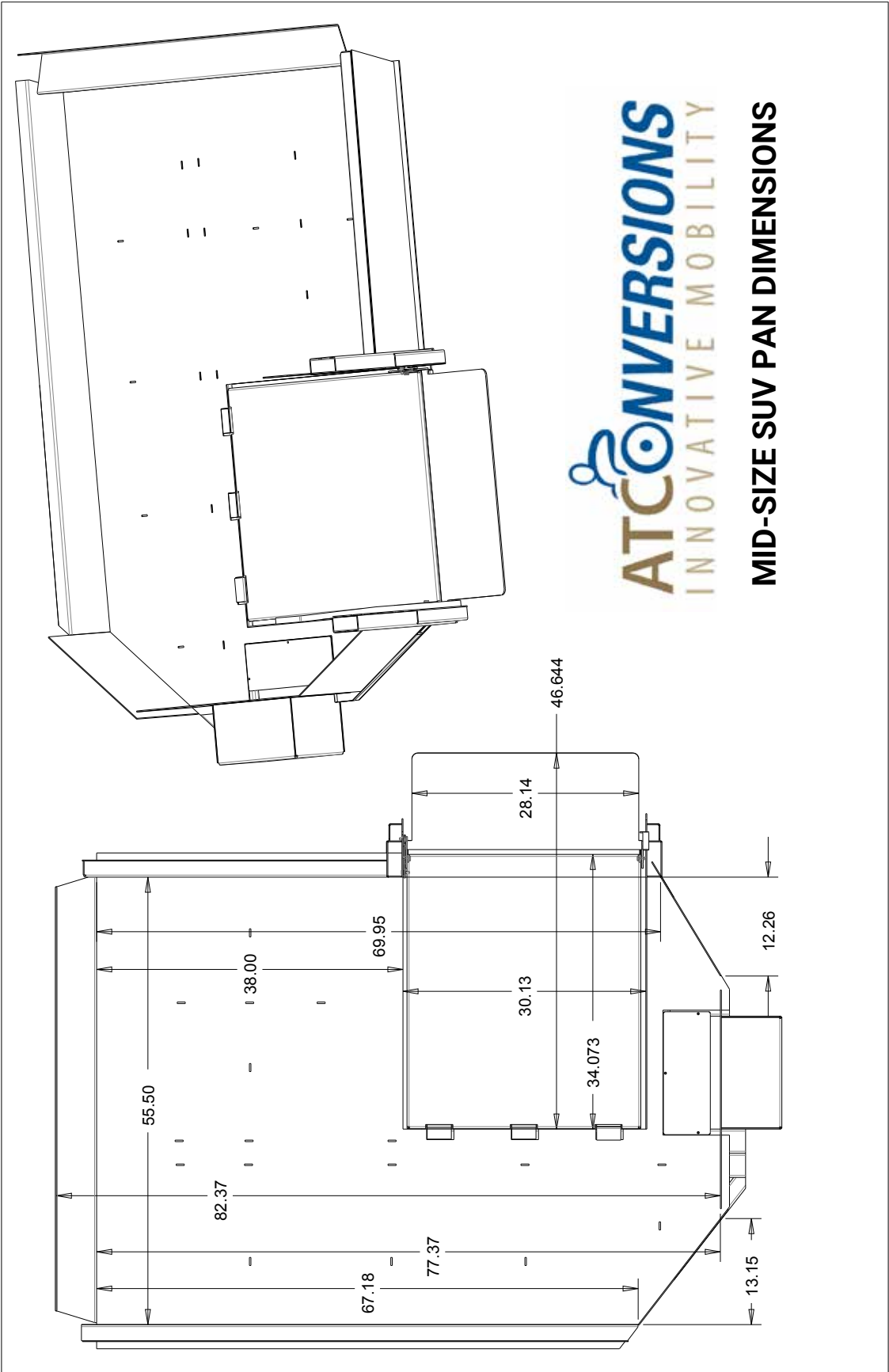
Note: Please submit photos of customer in the power chair that will be used with conversion.

 Authorize Dealer/Sales Consultant Date Customer Sign-Off Date

This guide is to be used to determine if the client fits in the vehicle with the chair submitted. It is not to be used to determine if the driving position will be satisfactory to the client. ATC shall not be held liable for driving position issues.

VER10.25.16

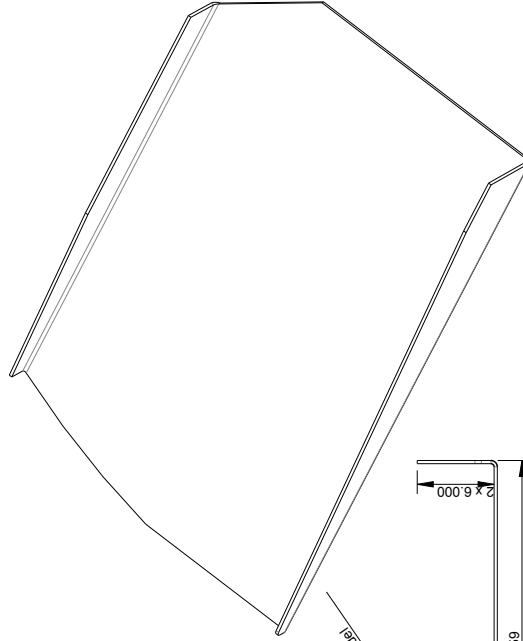
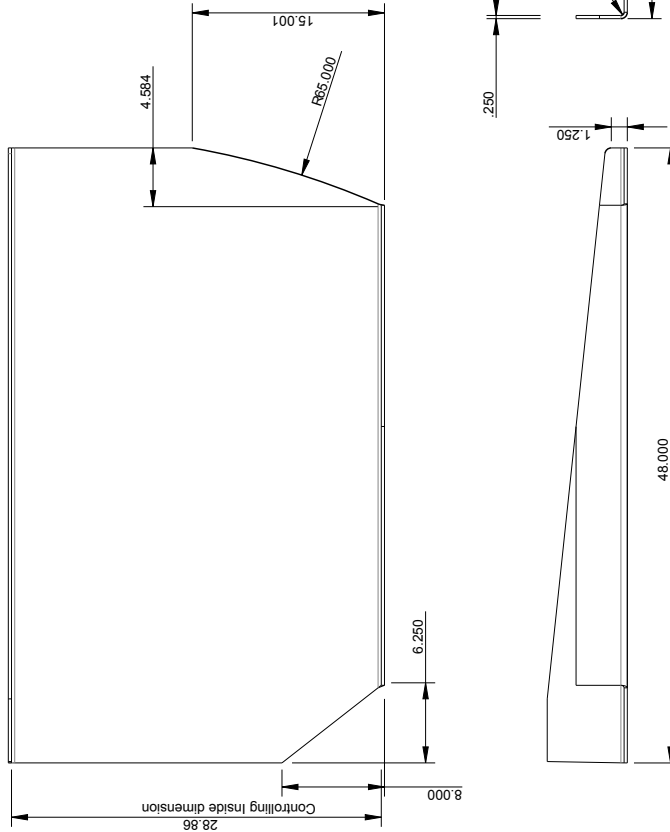
MID-SIZE SUV TRAY DIMENSIONS



1500 2WD DRIVER'S SIDE PAN DIMENSIONS

1500 - 2WD - DRIVER SIDE

REVISIONS			
REV	DESCRIPTION	DATE	APPROVED
IR	Initial release	12/6/12	JBE
G	TWEAKED CORNER CUT	9/1/15	KJS
H	ADDED CUT	11/12/15	KJS
I	ADDED 3 INCHES AND RADIUS CUT	11/23/15	KJS



DIMENSIONAL TOLERANCES UNLESS OTHERWISE NOTED		HSLA GRD 50 1/4 THICK	
BASIC DIMS	2 PLACES	3 PLACES	
UNDER 6"	+/- .02	+/- .005	
6" TO 24"	+/- .03	+/- .010	
24" AND UP	+/- .06	+/- .020	
ANGLES +/- 1/2°			

ATC Manufacturing	
SIZE:	Lift Pan Single Piece CH 1/2 & 3/4 Drv 2WD
	FRM00131

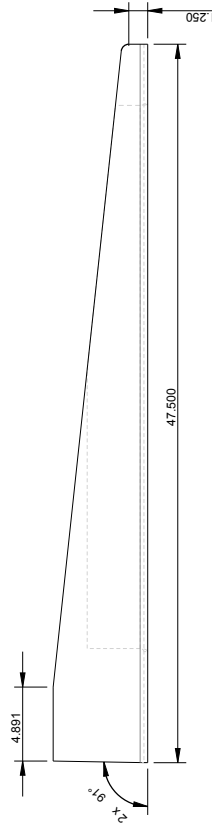
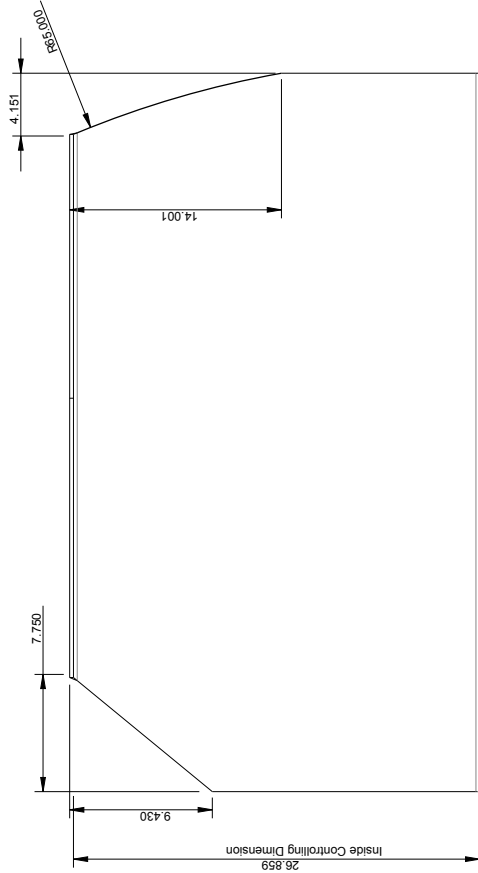
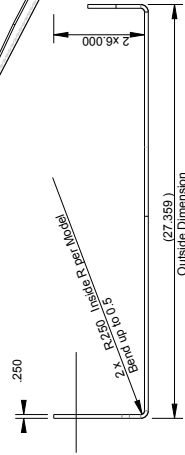
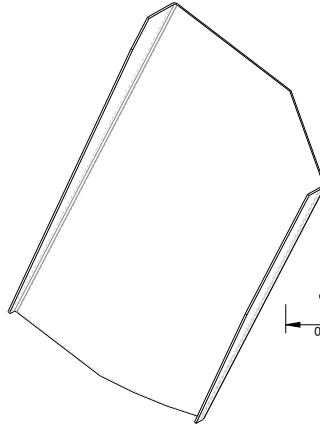
THE INFORMATION DISCLOSED HEREIN CONTAINS PROPRIETARY RIGHTS OF ALL TERRAIN CONVERSIONS LLC. NEITHER THIS DRAWING NOR ANY INFORMATION CONTAINED HEREIN IS TO BE REPRODUCED, COPIED, OR DISCLOSED TO OTHERS FOR ANY PURPOSES EXCEPT AS SPECIFICALLY AUTHORIZED BY ALL TERRAIN CONVERSIONS IN WRITING.



1500 2WD PASSENGER'S SIDE PAN DIMENSIONS

1500 - 2WD - PASSENGER SIDE

REVISIONS			
REV	DESCRIPTION	DATE	APPROVED
E	ADDED RADIUS CUT	11/12/15	KJS
G	LENGTHENED, ADDED RAD. CUT	11/23/15	KJS

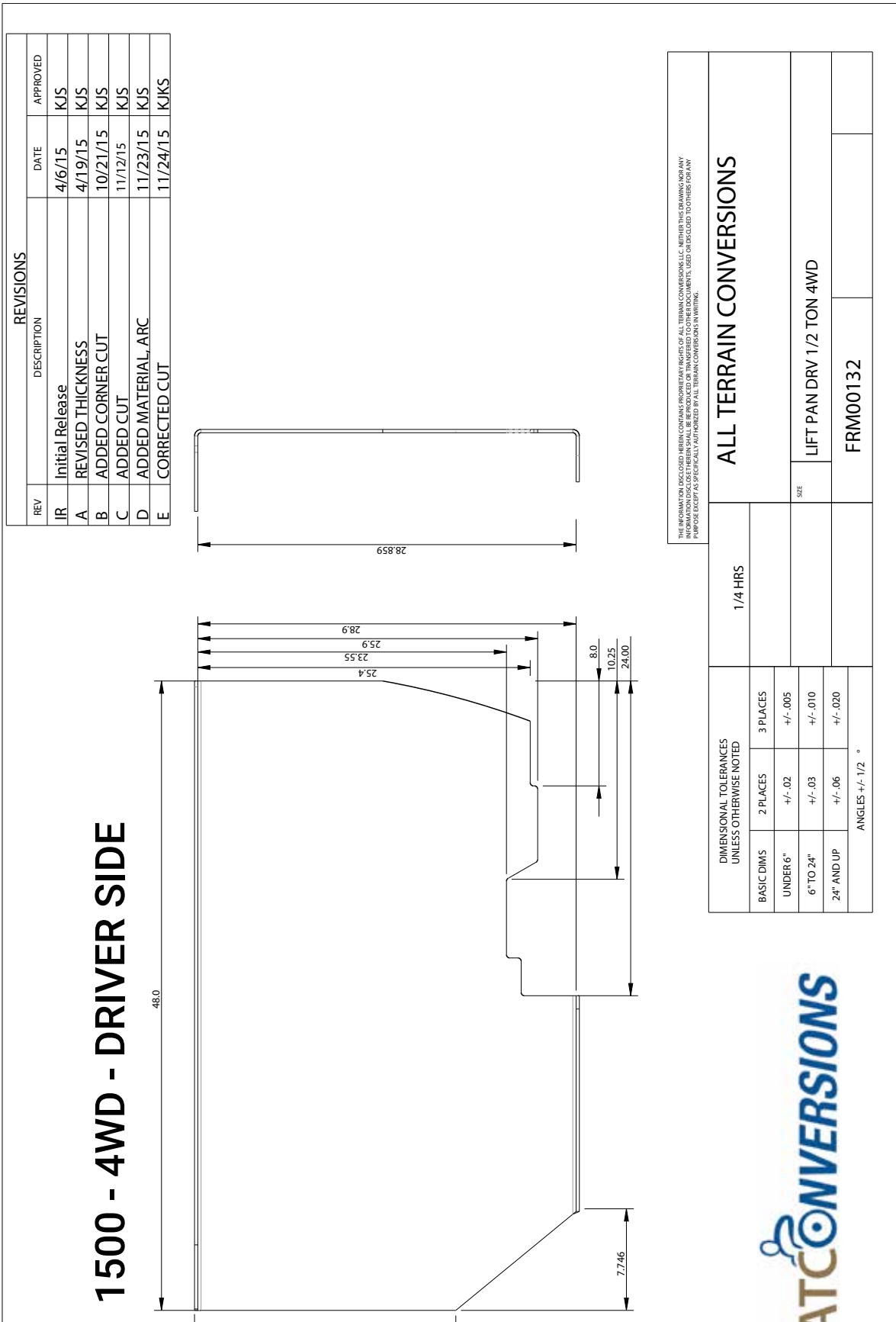


THE INFORMATION DISCLOSED HEREIN CONTAINS PROPRIETARY RIGHTS OF ALL TERRAIN CONVERSIONS, LLC. NEITHER THIS DRAWING NOR ANY INFORMATION DISCLOSED THEREIN SHALL BE REPRODUCED OR TRANSMITTED TO OTHER DOCUMENTS, USED OR DISCLOSED TO OTHERS FOR ANY PURPOSE EXCEPT AS SPECIFICALLY AUTHORIZED BY ALL TERRAIN CONVERSIONS IN WRITING.

HSLA 50KSI 1/4"		ATC Manufacturing	
DIMENSIONAL TOLERANCES UNLESS OTHERWISE NOTED		Lift Pan Single Piece CH 1/2&3/4T Pass	
BASIC DIMS	2 PLACES	3 PLACES	SIZE
UNDER 6"	+/- .02	+/- .005	FRM00130
6" TO 24"	+/- .03	+/- .010	
24" AND UP	+/- .06	+/- .020	
ANGLES +/- 1/2°			



1500 4WD DRIVER'S SIDE PAN DIMENSIONS



ALL TERRAIN CONVERSIONS

THE INFORMATION DISCLOSED HEREIN CONTAINS PROPRIETARY RIGHTS OF ALL TERRAIN CONVERSIONS LLC. NEITHER THIS DRAWING NOR ANY INFORMATION CONTAINED HEREIN IS TO BE REPRODUCED, COPIED, OR TRANSMITTED IN ANY FORM OR BY ANY MEANS, ELECTRONIC OR MECHANICAL, INCLUDING PHOTOCOPYING, RECORDING, OR BY ANY INFORMATION STORAGE AND RETRIEVAL SYSTEM, WITHOUT THE WRITTEN PERMISSION OF ALL TERRAIN CONVERSIONS LLC. THIS DRAWING IS FOR INFORMATION PURPOSES EXCEPT AS SPECIFICALLY AUTHORIZED BY ALL TERRAIN CONVERSIONS LLC IN WRITING.

DIMENSIONAL TOLERANCES UNLESS OTHERWISE NOTED		1/4 HRS	
BASIC DIMS	2 PLACES	3 PLACES	
UNDER 6"	+/- .02	+/- .005	
6" TO 24"	+/- .03	+/- .010	
24" AND UP	+/- .06	+/- .020	
ANGLES +/- 1/2 °			

LIFT PAN DRV 1/2 TON 4WD

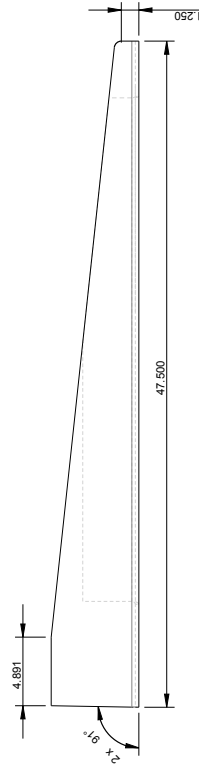
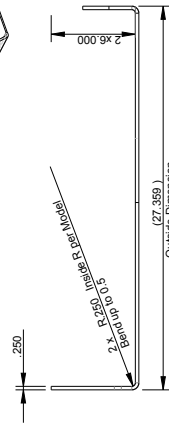
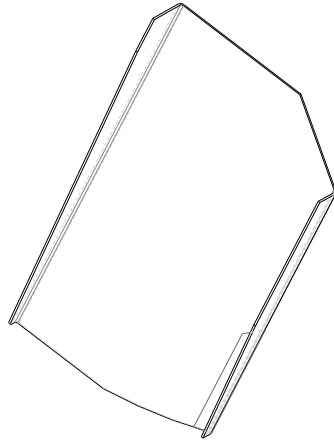
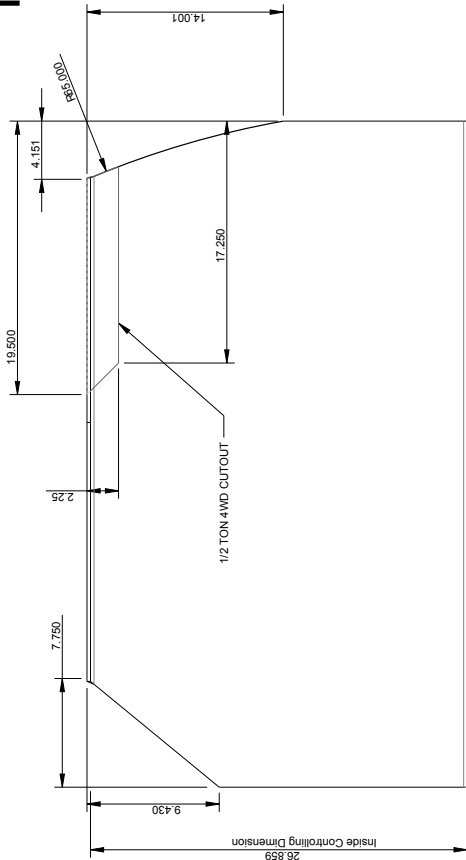
FRM00132

ATCONVERSIONS

1500 4WD PASSENGER'S SIDE PAN DIMENSIONS

1500 - 4WD - PASSENGER SIDE

REV	DESCRIPTION	DATE	APPROVED
E	ADDED RADIUS CUT	11/12/15	KJS
G	LENGTHENED, ADDED RAD CUT	11/23/15	KJS



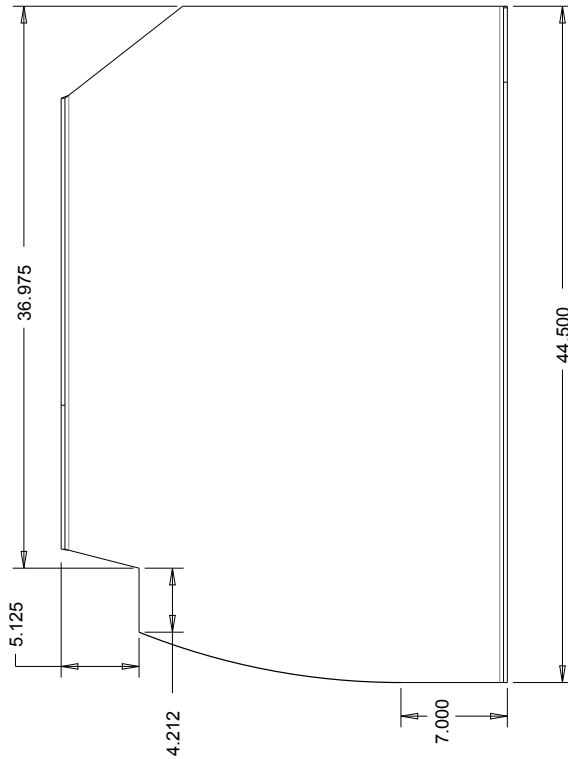
THIS DRAWING IS THE PROPERTY OF AT CONVERSIONS, LLC. IT IS TO BE USED ONLY FOR THE PROJECT AND NOT TO BE REPRODUCED OR TRANSMITTED IN ANY FORM OR BY ANY MEANS, ELECTRONIC OR MECHANICAL, INCLUDING PHOTOCOPYING, RECORDING, OR BY ANY INFORMATION STORAGE AND RETRIEVAL SYSTEM. WITHOUT PERMISSION IN WRITING FROM AT CONVERSIONS, LLC, THIS INFORMATION SHALL NOT BE DISCLOSED TO OTHERS FOR ANY PURPOSE EXCEPT AS SPECIFICALLY AUTHORIZED BY AT CONVERSIONS IN WRITING.

DIMENSIONAL TOLERANCES UNLESS OTHERWISE NOTED		HSLA 50KSI 1/4"		ATC Manufacturing	
BASIC DIMS	2 PLACES	3 PLACES			
UNDER 6"	+/- .02	+/- .005			
6" TO 24"	+/- .03	+/- .010	SIZE		Lift Pan Single Piece CH 1/2&3/4T Pass
24" AND UP	+/- .06	+/- .020			
ANGLES +/- 1/2°					FRM00130



2500 2WD DRIVER'S SIDE PAN DIMENSIONS

2500 - 2WD - DRIVER SIDE



REVISIONS			
REV	DESCRIPTION	DATE	APPROVED
IR	Initial Release	1/11/16	KJS

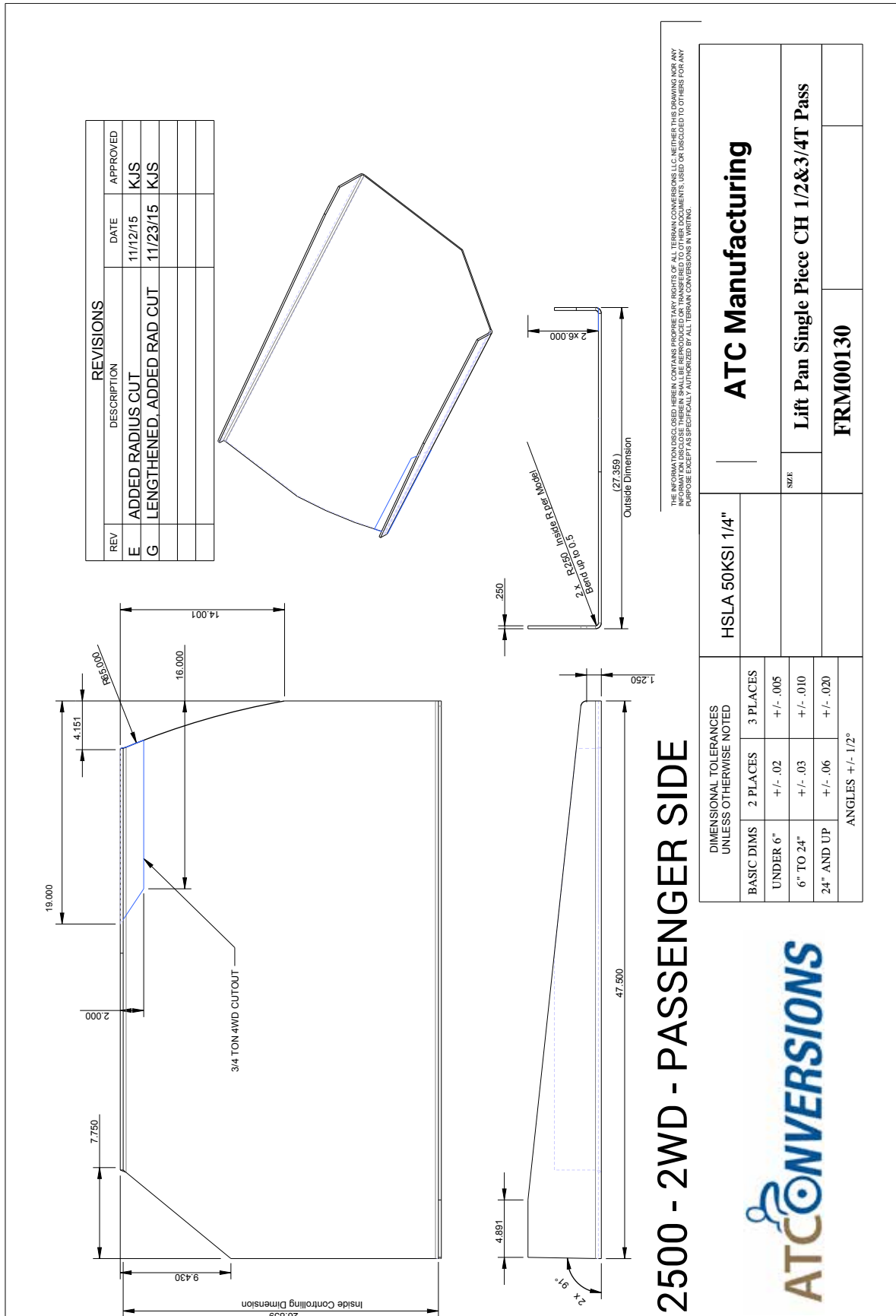


THE INFORMATION DISCLOSED HEREIN CONTAINS PROPRIETARY RIGHTS OF ALL TERRAIN CONVERSIONS LLC. NEITHER THIS DRAWING NOR ANY PARTS, MATERIALS, OR METHODS DESCRIBED HEREIN ARE TO BE REPRODUCED, COPIED, OR TRANSMITTED IN ANY FORM OR BY ANY MEANS, ELECTRONIC OR MECHANICAL, INCLUDING PHOTOCOPYING, RECORDING, OR BY ANY INFORMATION STORAGE AND RETRIEVAL SYSTEM, WITHOUT THE WRITTEN PERMISSION OF TERRAIN CONVERSIONS LLC.

1/4 HRS		ATC Manufacturing	
DIMENSIONAL TOLERANCES UNLESS OTHERWISE NOTED		3/4 TON 2WD LIFT PAN DRV	
BASIC DIMS	2 PLACES	3 PLACES	FRM00476
UNDER 6"	+/- .02	+/- .005	
6" TO 24"	+/- .03	+/- .010	
24" AND UP	+/- .06	+/- .020	
ANGLES +/- .12°			

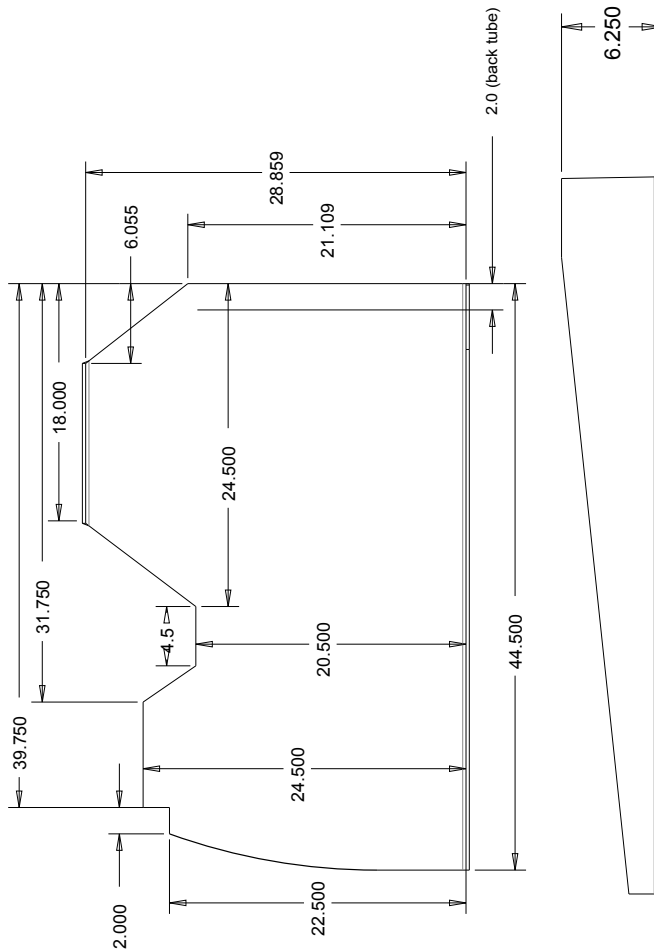


2500 2WD PASSENGER'S SIDE PAN DIMENSIONS



2500 4WD DRIVER'S SIDE PAN DIMENSIONS

2500 - 4WD - DRIVER SIDE



REVISIONS			
REV	DESCRIPTION	DATE	APPROVED
IR	Initial Release	1/11/16	KJS
	Driver Positioning Disclaimer	10/26/16	TZ

Driver will not be centered behind wheel. Depending on the chair, typically 2"-4" off to the left.

Distance to steering wheel will be determined by cut out in relationship to the chair.

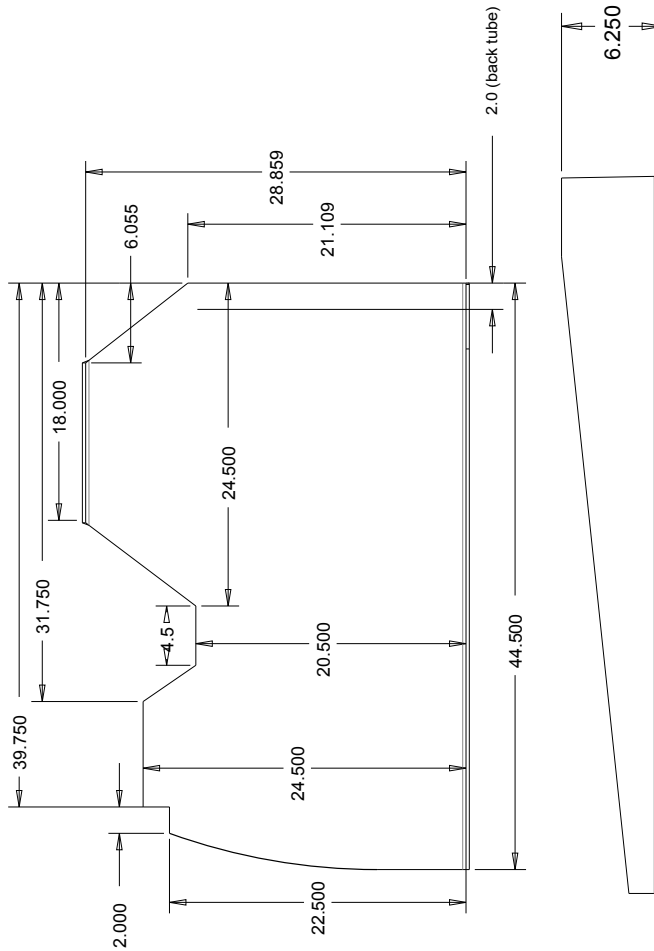
THE INFORMATION ON THESE DRAWINGS IS THE PROPERTY OF ATC TERRAIN CONVERSIONS, LLC. WHETHER THIS DRAWING IS FOR ANY INFORMATION DISCLOSED THEREIN SHALL BE REPRODUCED OR TRANSMITTED TO OTHER DOCUMENTS, USED OR DISCLOSED TO OTHERS FOR ANY PURPOSE EXCEPT AS SPECIFICALLY AUTHORIZED BY ALL TERRAIN CONVERSIONS IN WRITING.

DIMENSIONAL TOLERANCES UNLESS OTHERWISE NOTED		1/4 HRS	
BASIC DIMS	2 PLACES	3 PLACES	
UNDER 6"	+/- .02	+/- .005	
6" TO 24"	+/- .03	+/- .010	
24" AND UP	+/- .06	+/- .020	
ANGLES +/- 1/2°			
ATC Manufacturing		3/4 TON 4x4 DRV PAN	
FRM00473			



2500 4WD - ALLISON TRANSMISSION DRIVER'S SIDE PAN DIMENSIONS

2500 - 4WD - DRIVER SIDE



REVISIONS			
REV	DESCRIPTION	DATE	APPROVED
IR	Initial Release	1/11/16	KJS
	Driver Positioning Disclaimer	10/26/16	TZ

Driver will not be centered behind wheel. Depending on the chair, typically 2"-4" off to the left.

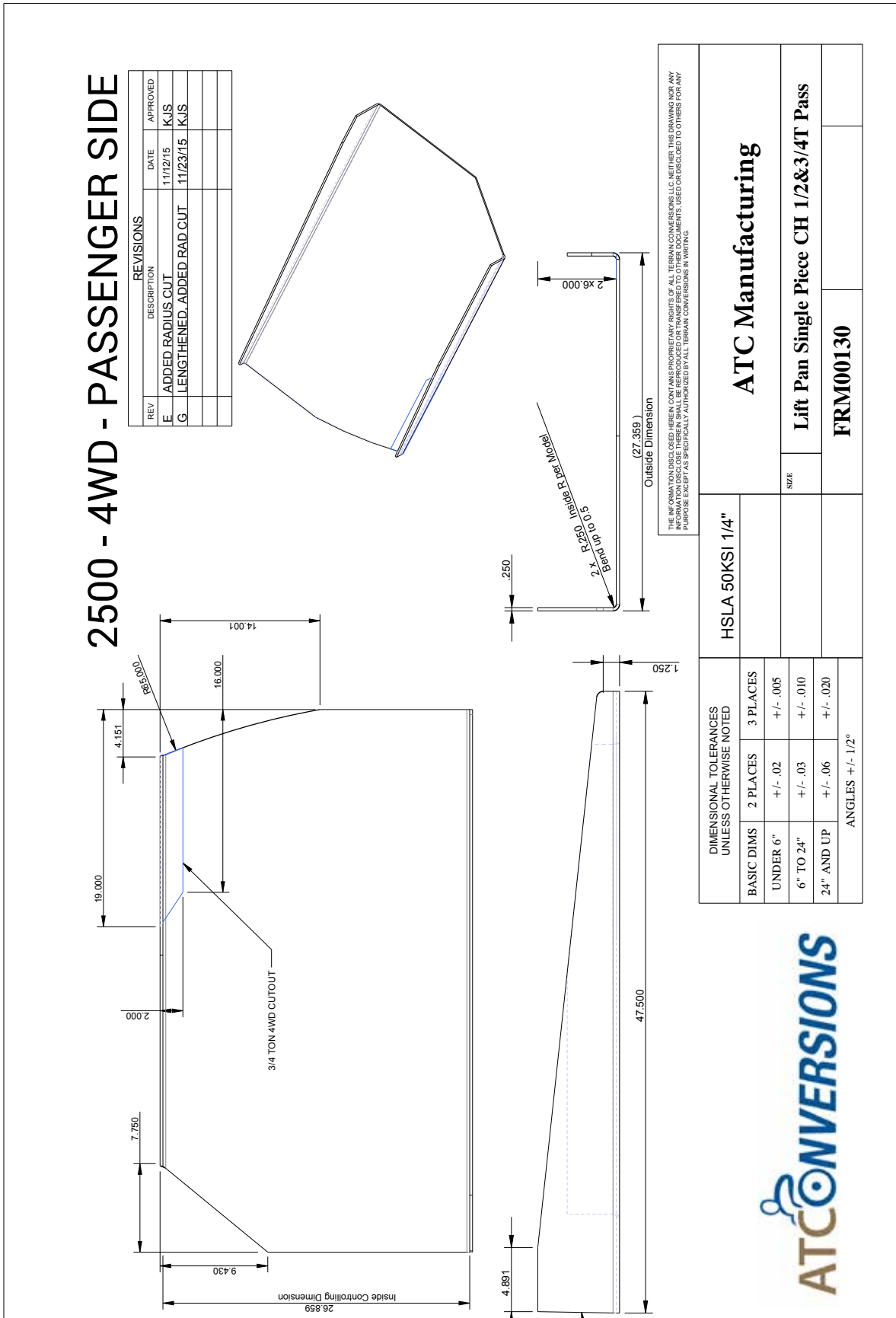
Distance to steering wheel will be determined by cut out in relationship to the chair.

THE INFORMATION DISCLOSED HEREIN CONTAINS PROPRIETARY RIGHTS OF ALL TERRAIN CONVERSIONS LLC. THESE DIMENSIONS ARE FOR ANY INFORMATION DISCLOSED THEREIN SHALL BE REPRODUCED OR TRANSFERRED TO OTHER DOCUMENTS, USED OR DISCLOSED TO OTHERS FOR ANY PURPOSE EXCEPT AS SPECIFICALLY AUTHORIZED BY ALL TERRAIN CONVERSIONS IN WRITING.

DIMENSIONAL TOLERANCES UNLESS OTHERWISE NOTED		1/4 HRS	
BASIC DIMS	2 PLACES	3 PLACES	
UNDER 6"	+/- .02	+/- .005	
6" TO 24"	+/- .03	+/- .010	
24" AND UP	+/- .06	+/- .020	
ANGLES +/- 1/2°			
ATC Manufacturing		3/4 TON 4x4 DRV PAN	
FRM00473		FRM00473	



2500 4WD PASSENGER'S SIDE PAN DIMENSIONS





(855) 324-3085
www.atconversions.com