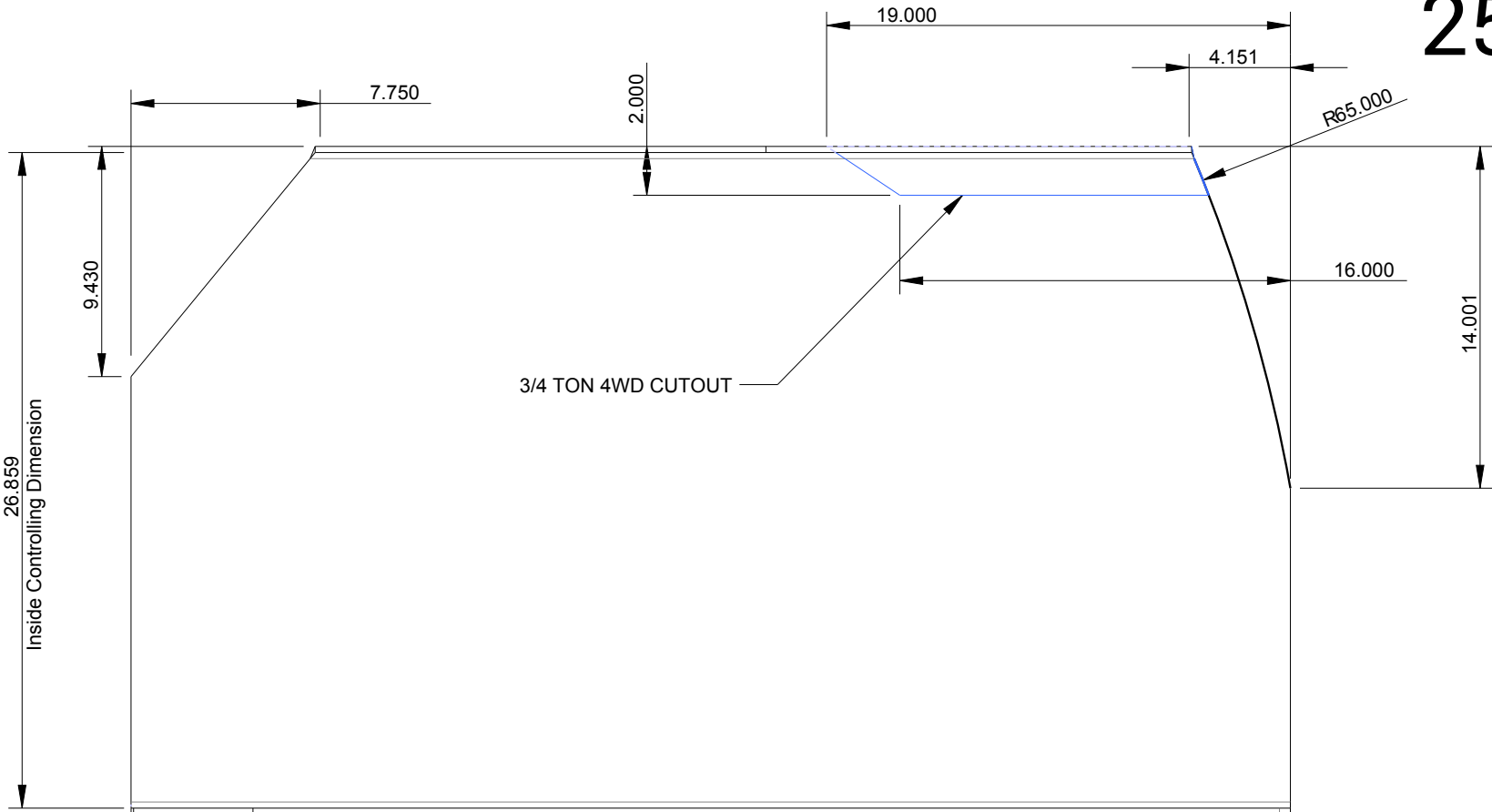
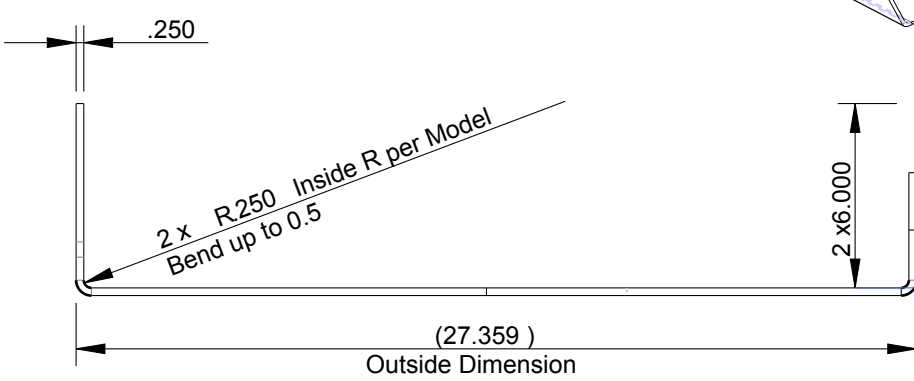
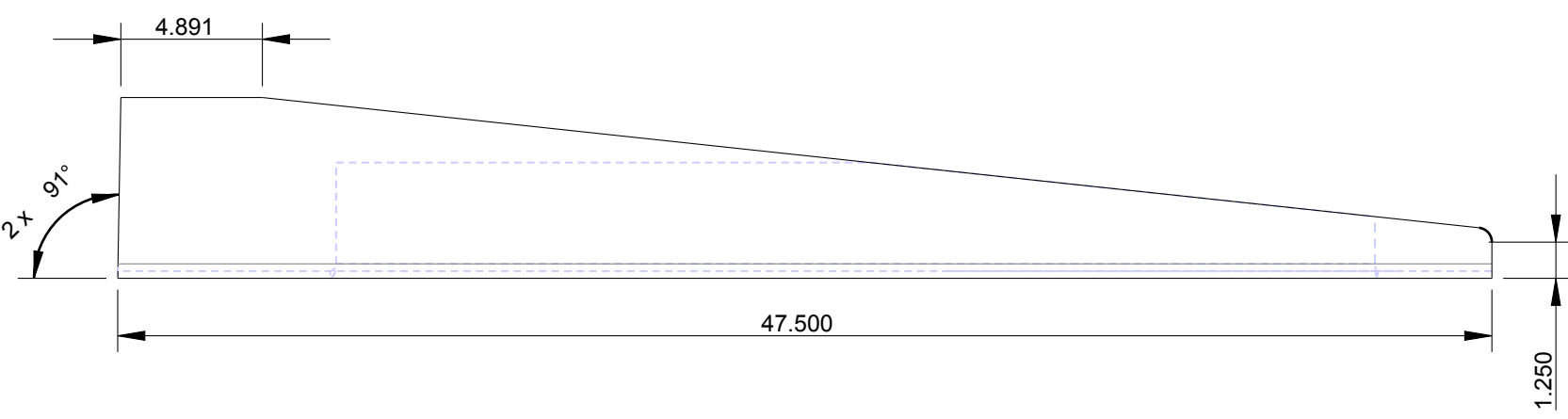
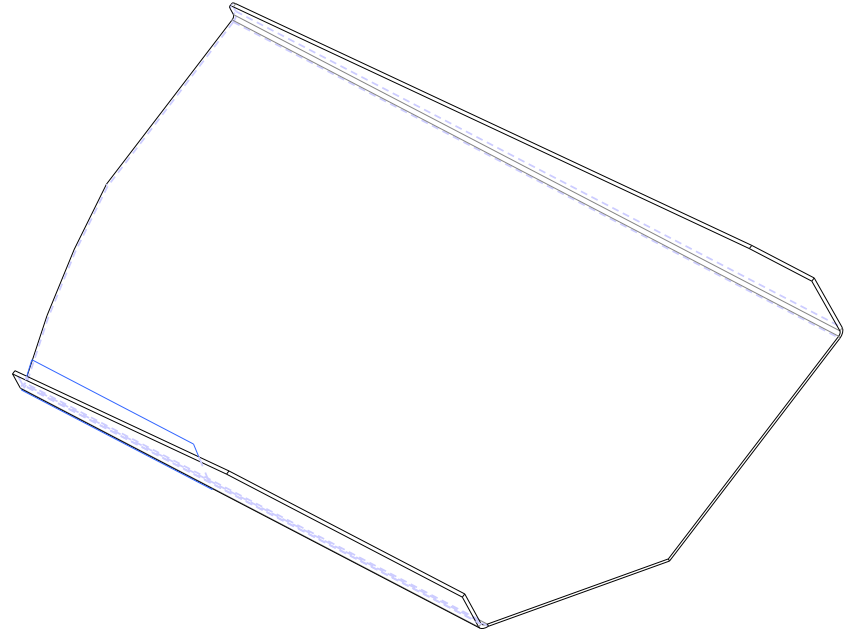


2500 - 4WD - PASSENGER SIDE



REVISIONS			
REV	DESCRIPTION	DATE	APPROVED
E	ADDED RADIUS CUT	11/12/15	KJS
G	LENGTHENED, ADDED RAD CUT	11/23/15	KJS



THE INFORMATION DISCLOSED HEREIN CONTAINS PROPRIETARY RIGHTS OF ALL TERRAIN CONVERSIONS LLC. NEITHER THIS DRAWING NOR ANY INFORMATION DISCLOSED THEREIN SHALL BE REPRODUCED OR TRANSFERRED TO OTHER DOCUMENTS, USED OR DISCLOSED TO OTHERS FOR ANY PURPOSE EXCEPT AS SPECIFICALLY AUTHORIZED BY ALL TERRAIN CONVERSIONS IN WRITING.



DIMENSIONAL TOLERANCES UNLESS OTHERWISE NOTED			HSLA 50KSI 1/4"	ATC Manufacturing	
BASIC DIMS	2 PLACES	3 PLACES			
UNDER 6"	+/- .02	+/- .005	SIZE	Lift Pan Single Piece CH 1/2&3/4T Pass	
6" TO 24"	+/- .03	+/- .010			
24" AND UP	+/- .06	+/- .020			
ANGLES +/- 1/2°			FRM00130		

